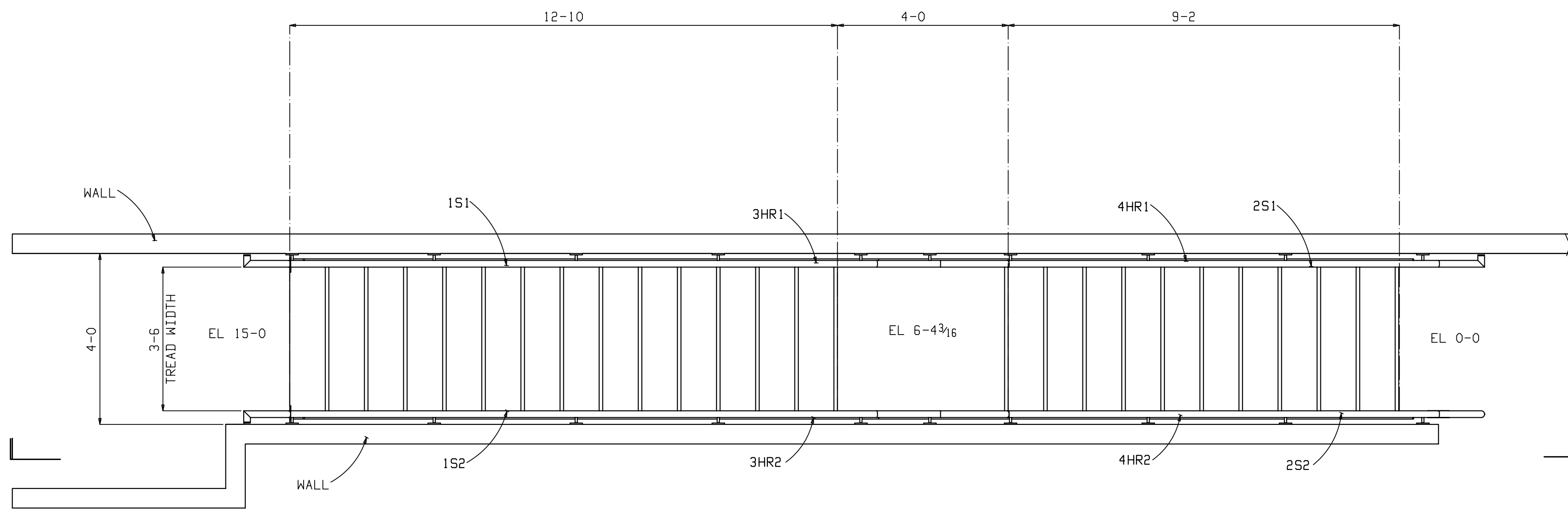
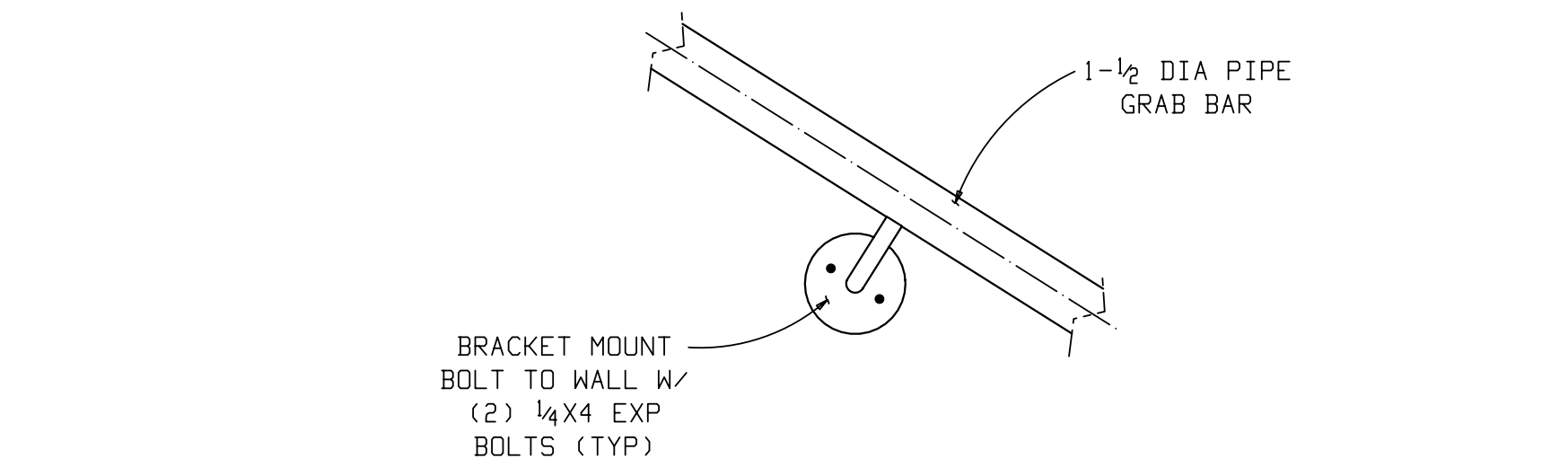


A	9-21-13	ISSUED FOR APPROVAL
REV.	DATE	DESCRIPTION

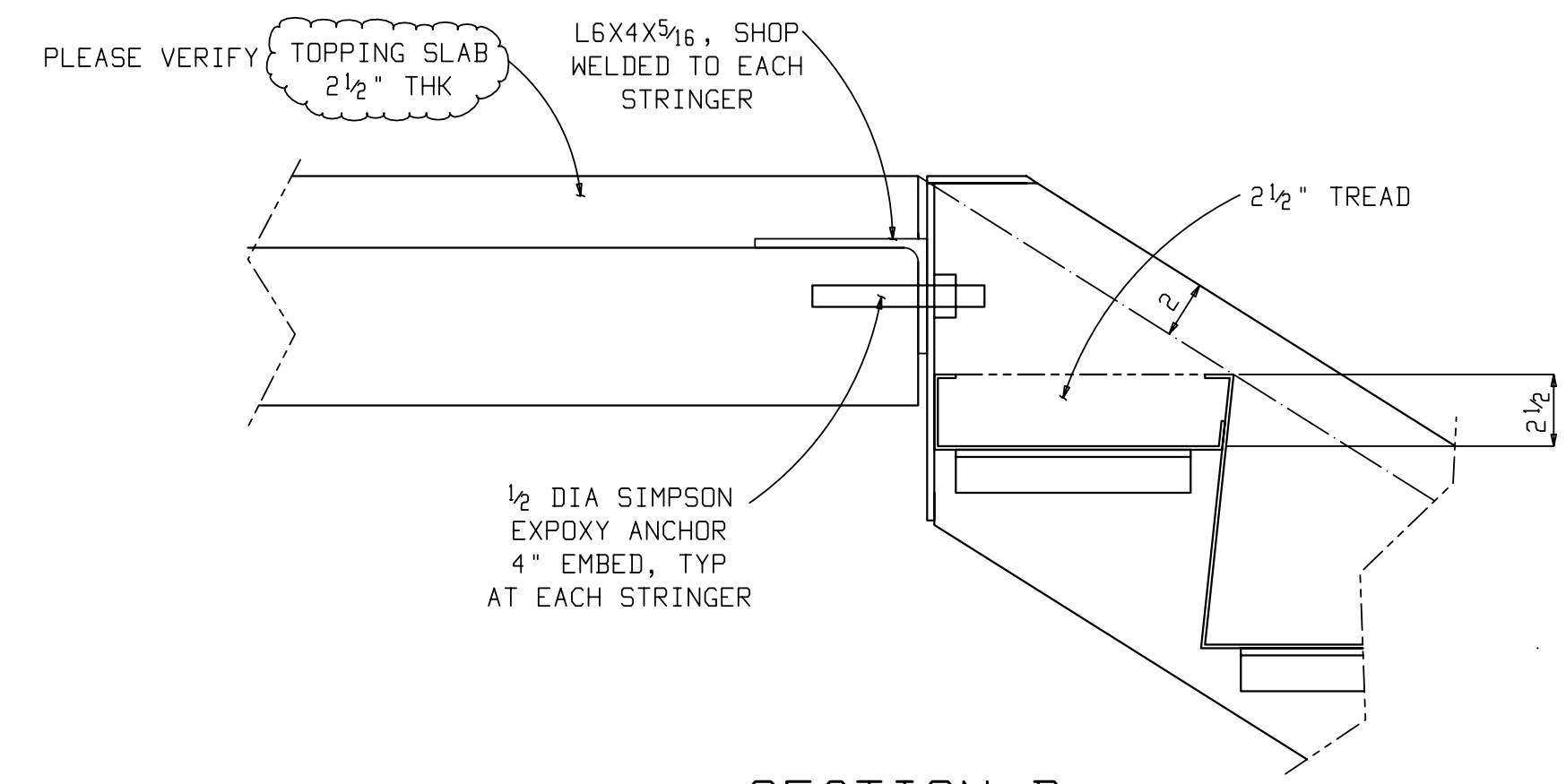
PLOT DATE/TIME: 30 Sep 2013 14:11:15	JOB STAIR	
	LOCATION	
	CUSTOMER BRIAN WOOD	
	DRWG. COVERS ISO OF STAIR	
	DETAILER PALMETTO STRUCTURAL DETAILING, LLC	JOB #
	CHECKER XXX DATE XXX	DRWG. # MIS01
PROJECT MANAGER		



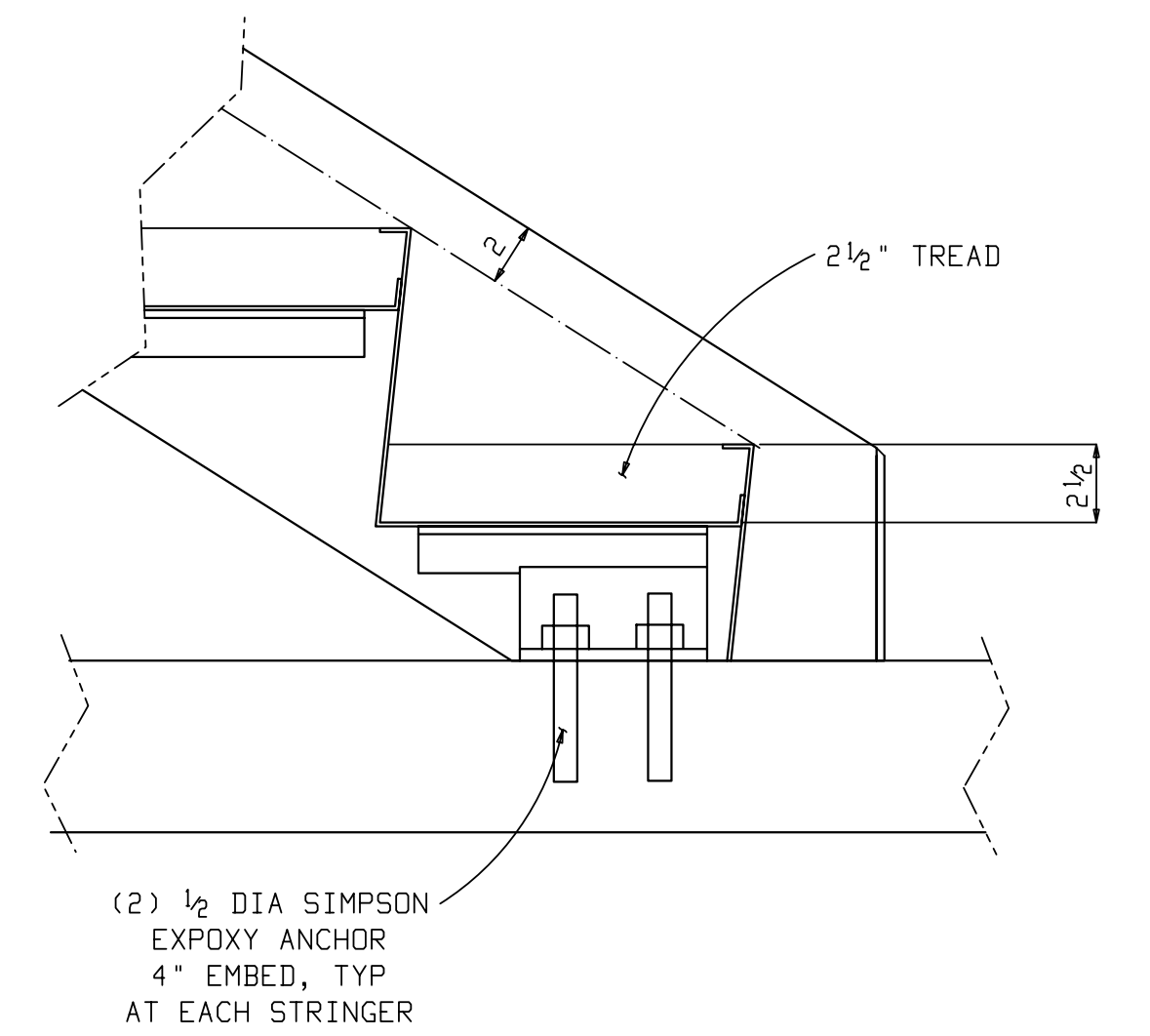
PLAN VIEW OF STAIR



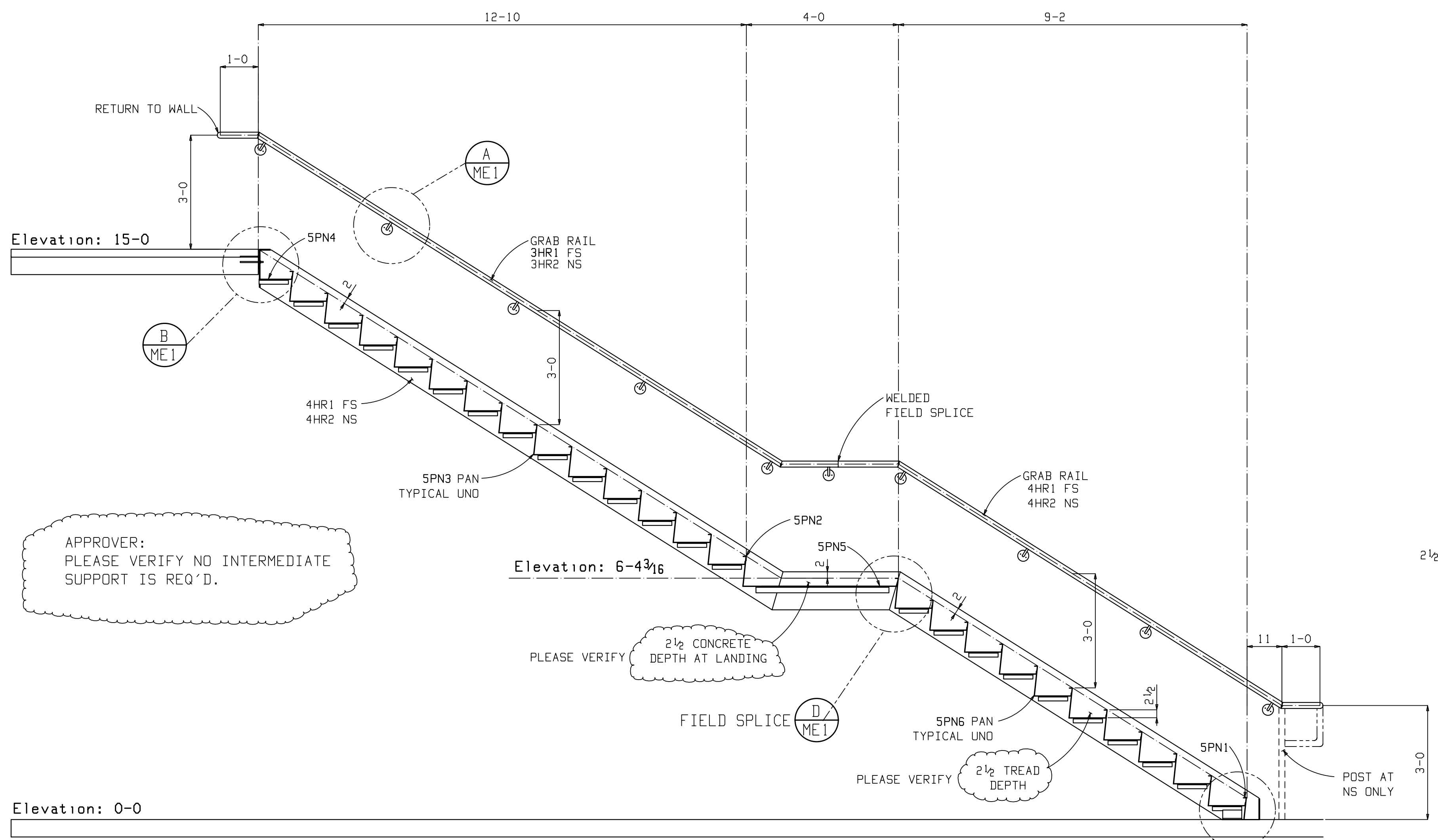
SECTION A



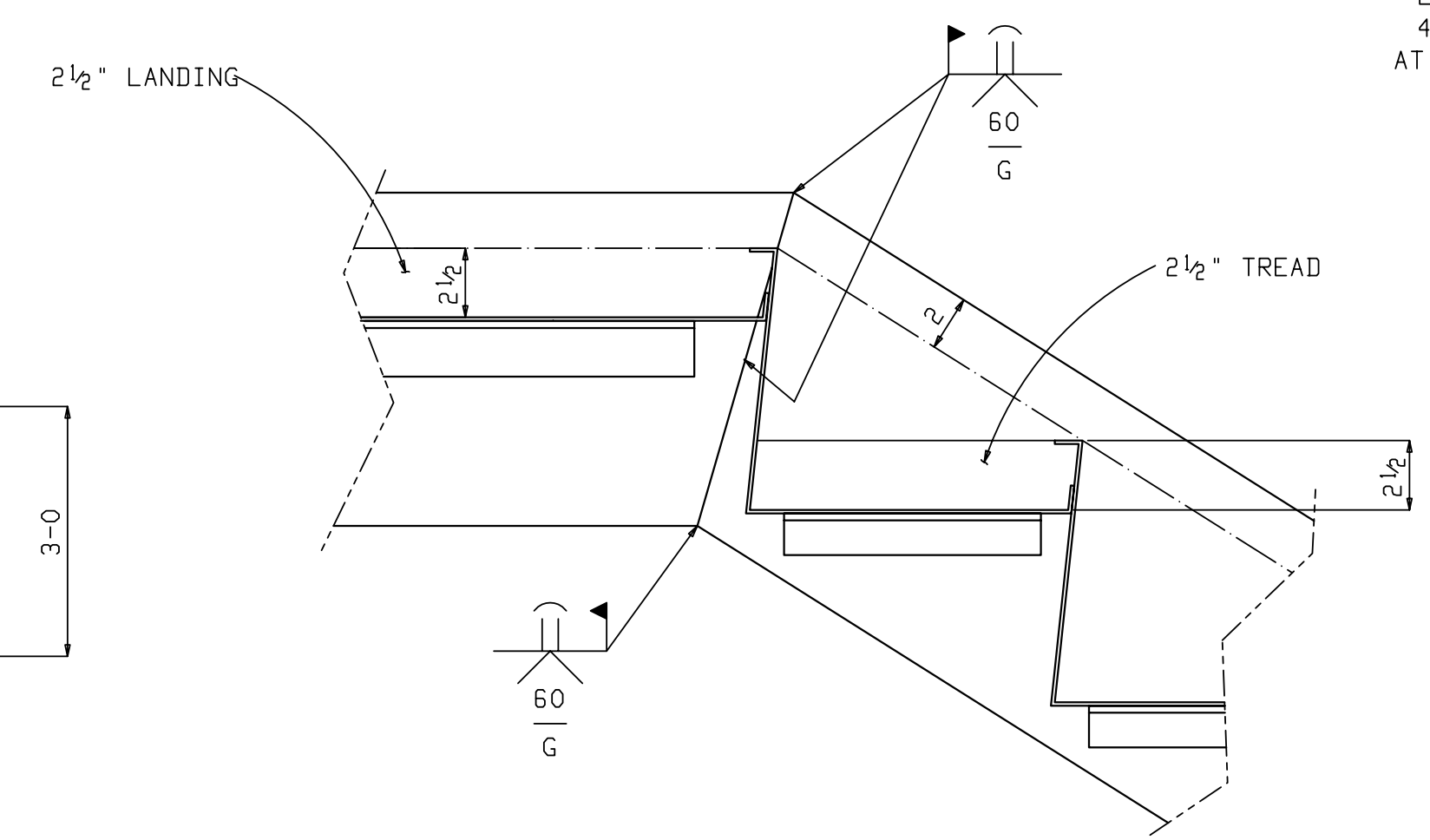
SECTION B



SECTION C



SECTION/ELEVATION A



SECTION D

REV.	DATE	DESCRIPTION
A	9-21-13	ISSUED FOR APPROVAL

JOB	STAIR
LOCATION	
CUSTOMER	BRIAN WOOD
DRWG. COVERS	PLAN AND SECTION
DETAILER	PALMETTO STRUCTURAL DETAILING, LLC
CHECKER	XXX
DATE	XXX
PROJECT MANAGER	

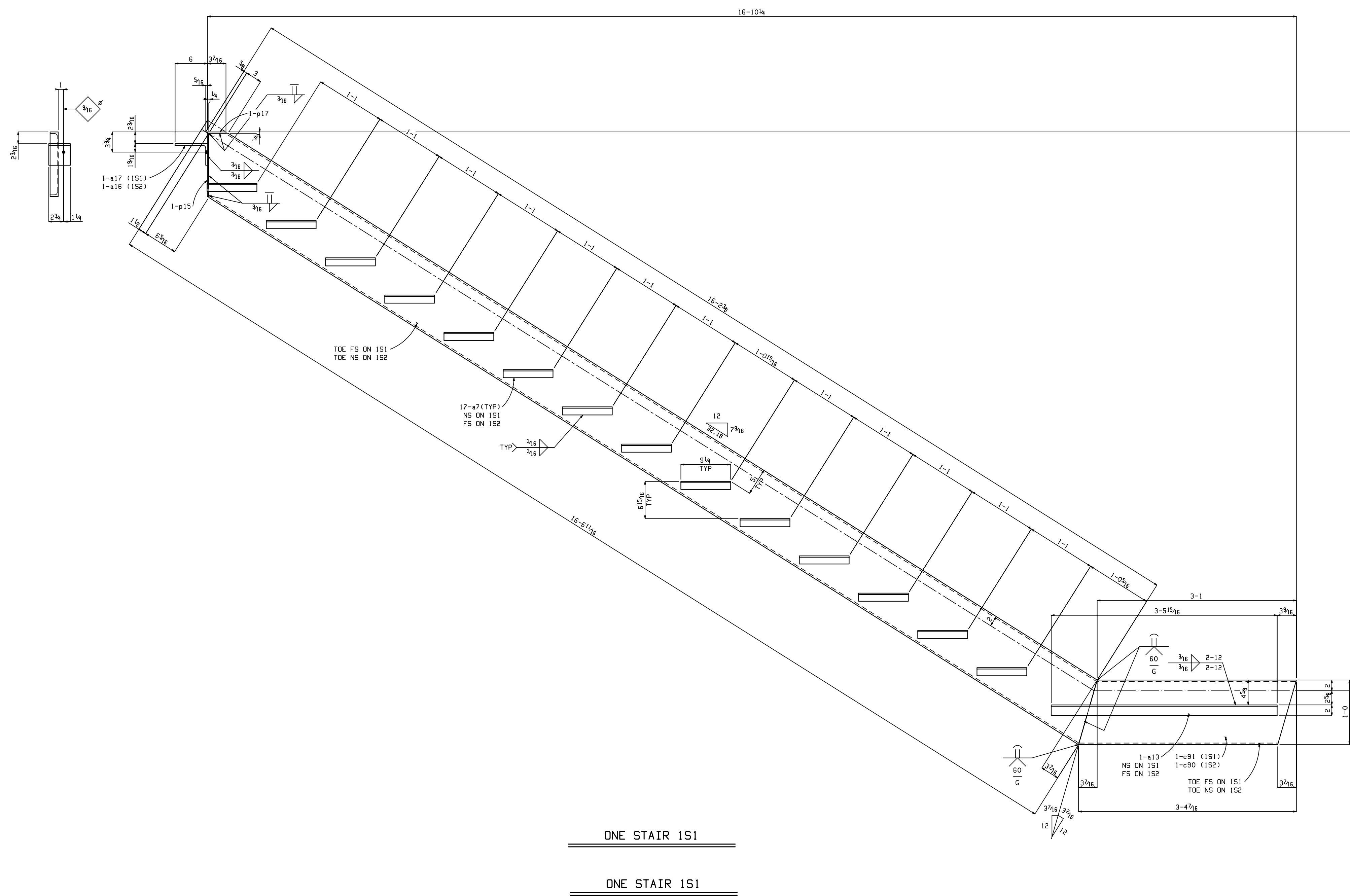
JOB #	DRWG. #
	ME1

PLOT DATE/TIME: 30 Sep 2013 14:11:15

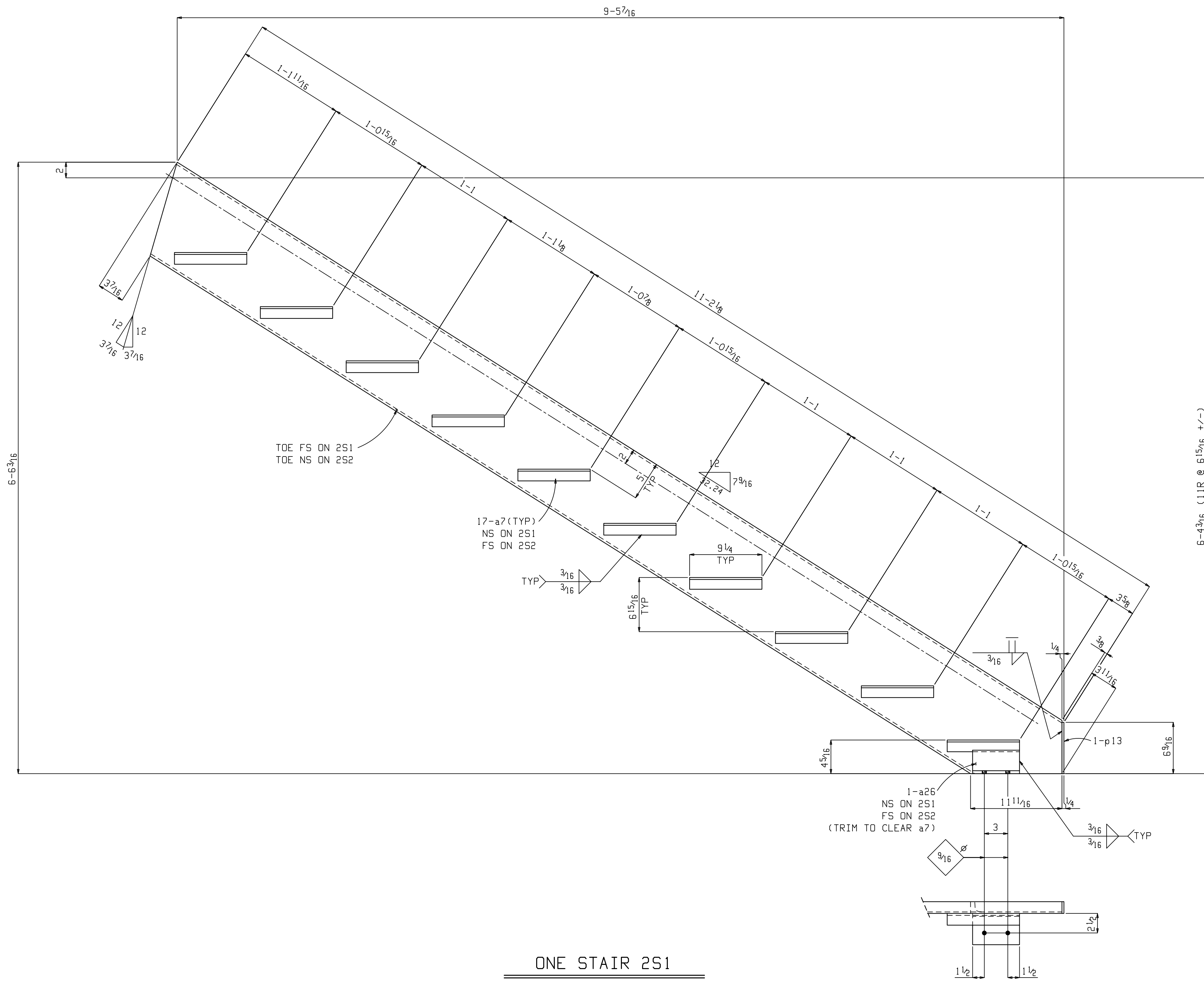
# BILL OF MATERIAL

SEQ	QTY	ERECT. MK	NO.	SHAPE	LENGTH	ASSY MK	REMARKS	GRADE	ITEM	HOLE	Weight
											Unit
2	1	IS1	ONE	STAIR							247
	1			MC12x10.6	16	3/16	IS1L B2E	A36			173
	1			MC12x10.6	3	4/16	c91 B2E	A36			33
	14			L1 1/2x1 1/2x1/4	0	9/4	a7	A36			2
	1			L6x4x3/16	0	4	a17	A36			3
	1			L2x2x1/4	3	5/16	a13	A36			11
	1			PL 1/4x1 1/2	0	11 3/4	p15	A36			1
	1			PL 1/4x1 1/2	0	3 7/16	p17	A36			0
2	1	IS2	ONE	MISC							249
	1			MC12x10.6	16	6/16	IS2R B2E	A36			175
	1			MC12x10.6	3	4/16	c90 B2E	A36			33
	14			L1 1/2x1 1/2x1/4	0	9/4	a7	A36			2
	1			L6x4x3/16	0	4	a16	A36			3
	1			L2x2x1/4	3	5/16	a13	A36			11
	1			PL 1/4x1 1/2	0	11 3/4	p15	A36			1
	1			PL 1/4x1 1/2	0	3 7/16	p17	A36			0

Total weight : 496



PLOT DATE/TIME: 30 Sep 2013 14:11:15	REFERENCE DRWG./LOCATION	ME 1
	MATERIAL (UNLESS NOTED)	A 9-21-13 ISSUED FOR APPROVAL
	SURFACE PREPARATION	SP2
	SHOP PAINT	1 S/C STD PRIMER
SHOP CONNECTIONS/ELECTRODES	E70XX L.H.	ALL SHOP BOLTS TO BE HAND TIGHT
FIELD CONNECTIONS	3/4 A325	HOLES (U.N.) 13/16
REVISIONS	REV. DATE DESCRIPTION	
JOB #	STAIR	
LOCATION	BRIAN WOOD	
CUSTOMER		
DRWG. COVERS	STAIR	
DETAILER	PALMETTO STRUCTURAL DETAILING, LLC	
CHECKER	XXX	DATE XXX
PROJECT MANAGER		
JOB #		
DRWG. #		MF 1



ONE STAIR 2S1  
ONE STAIR 2S1

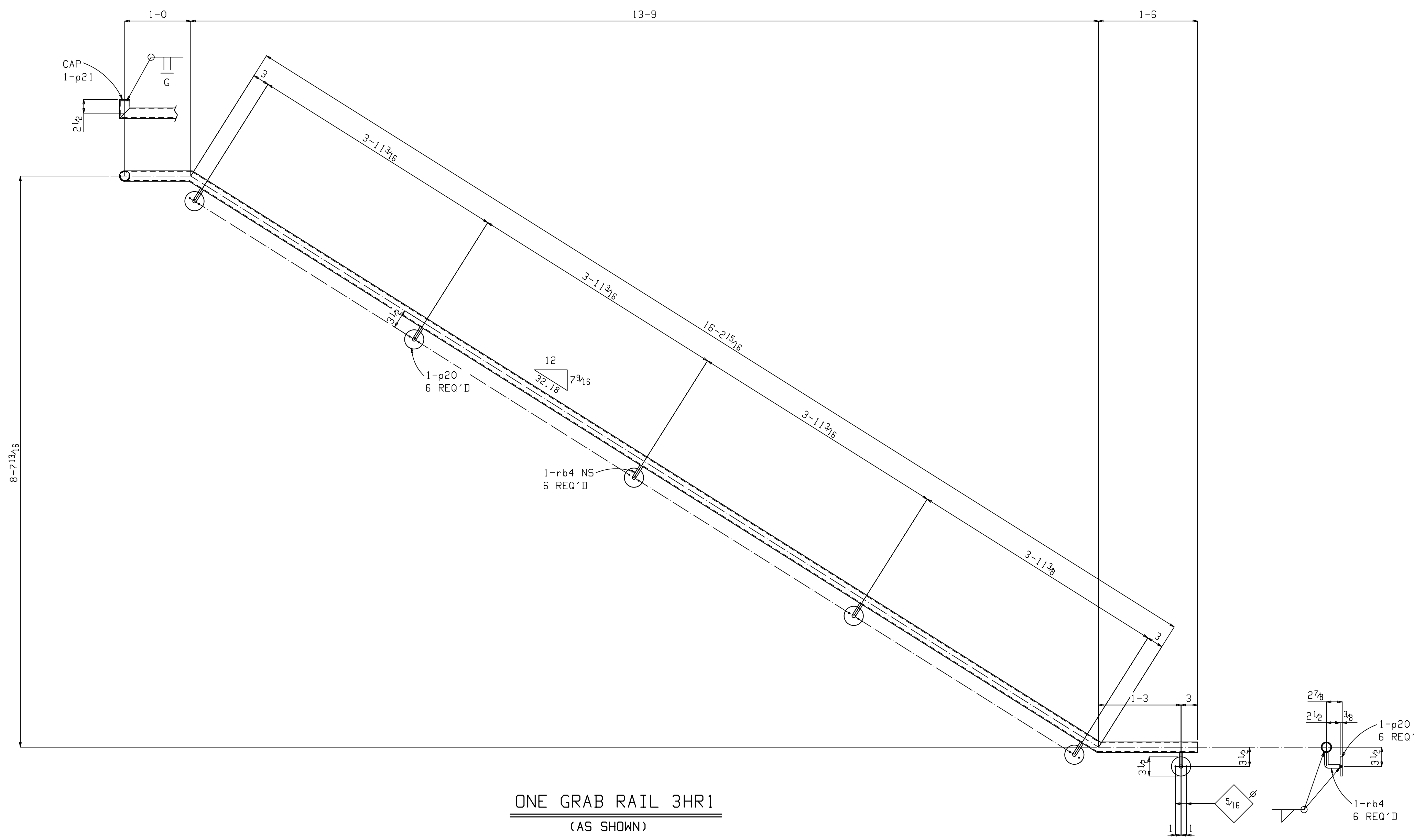
BILL OF MATERIAL											
SEQ	QTY	ERECT.	MK NO.	SHAPE	LENGTH	ASSY MK	REMARKS	GRADE	ITEM	HOLE	Weight
											Unit
1	1	2S1		ONE STAIR							139
				1 MC12x10.6	11	5 7/16	2S1L B2E	A36			116
				10 L1 1/2x1 1/2x1/4	0	9 1/4	a7	A36			2
				1 L4x3x3/8	0	6	a26	A36			4
				1 PL 1/4x1 1/2	0	6 3/16	p13	A36			1
1	1	2S2		ONE MISC							139
				1 MC12x10.6	11	5 7/16	2S2R B2E	A36			116
				10 L1 1/2x1 1/2x1/4	0	9 1/4	a7	A36			2
				1 L4x3x3/8	0	6	a26	A36			4
				1 PL 1/4x1 1/2	0	6 3/16	p13	A36			1

Total weight : 278

PLOT DATE/TIME: 30 Sep 2013 14:11:15	REFERENCE DRWG./LOCATION ME 1			
	MATERIAL (UNLESS NOTED) A36		A	9-21-13 ISSUED FOR APPROVAL
			REV.	DATE DESCRIPTION
	SURFACE PREPARATION SP2			
	SHOP PAINT 1 S/C STD PRIMER		JOB	STAIR
			LOCATION	
			CUSTOMER	BRIAN WOOD
	SHOP CONNECTIONS/ELECTRODES E70XX L.H. ALL SHOP BOLTS TO BE HAND TIGHT		DRWG. COVERS	STAIR
	FIELD CONNECTIONS 3/4 A325		DETAILER	PALMETTO STRUCTURAL DETAILING, LLC
	HOLES (U.N.) 13/16		CHECKER	XXX DATE XXX
			PROJECT MANAGER	
			JOB #	
			DRWG. #	MF2

BILL OF MATERIAL

SEQ	QTY	ERECT. MK	NO.	SHAPE	LENGTH	ASSY MK	REMARKS	GRADE	ITEM	HOLE	Weight
											Unit
1	1	3HR1	ONE	GRAB RAIL							63
			1	PIPE 1 1/2 STD	20	0	LINEAR FT	A53			54
			6	RPL 3/8 x 3 1/2		p20	ROUND	A36			1
			1	RPL 1/4 x 1 7/8		p21	ROUND	A36			0
			6	RB 3/8	0	5 3/8	rb4	BENT	A36		0
1	1	3HR2	ONE	GRAB RAIL							63
			1	PIPE 1 1/2 STD	20	0	LINEAR FEET	A53			54
			6	RPL 3/8 x 3 1/2		p20	ROUND	A36			1
			1	RPL 1/4 x 1 7/8		p21	ROUND	A36			0
			6	RB 3/8	0	5 3/8	rb4	BENT	A36		0



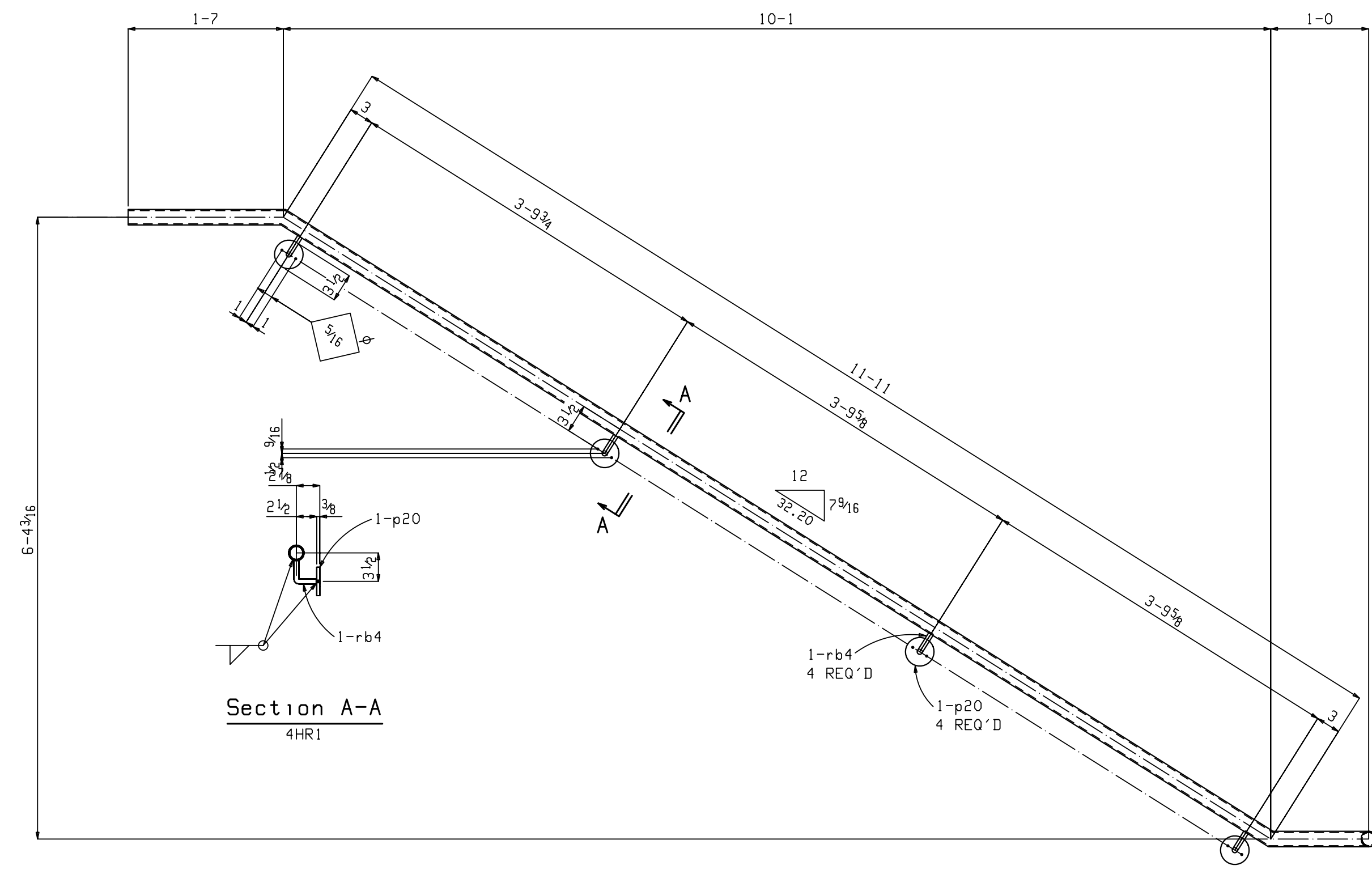
ONE GRAB RAIL 3HR1  
(AS SHOWN)

ONE GRAB RAIL 3HR2  
(DPP SHOWN)

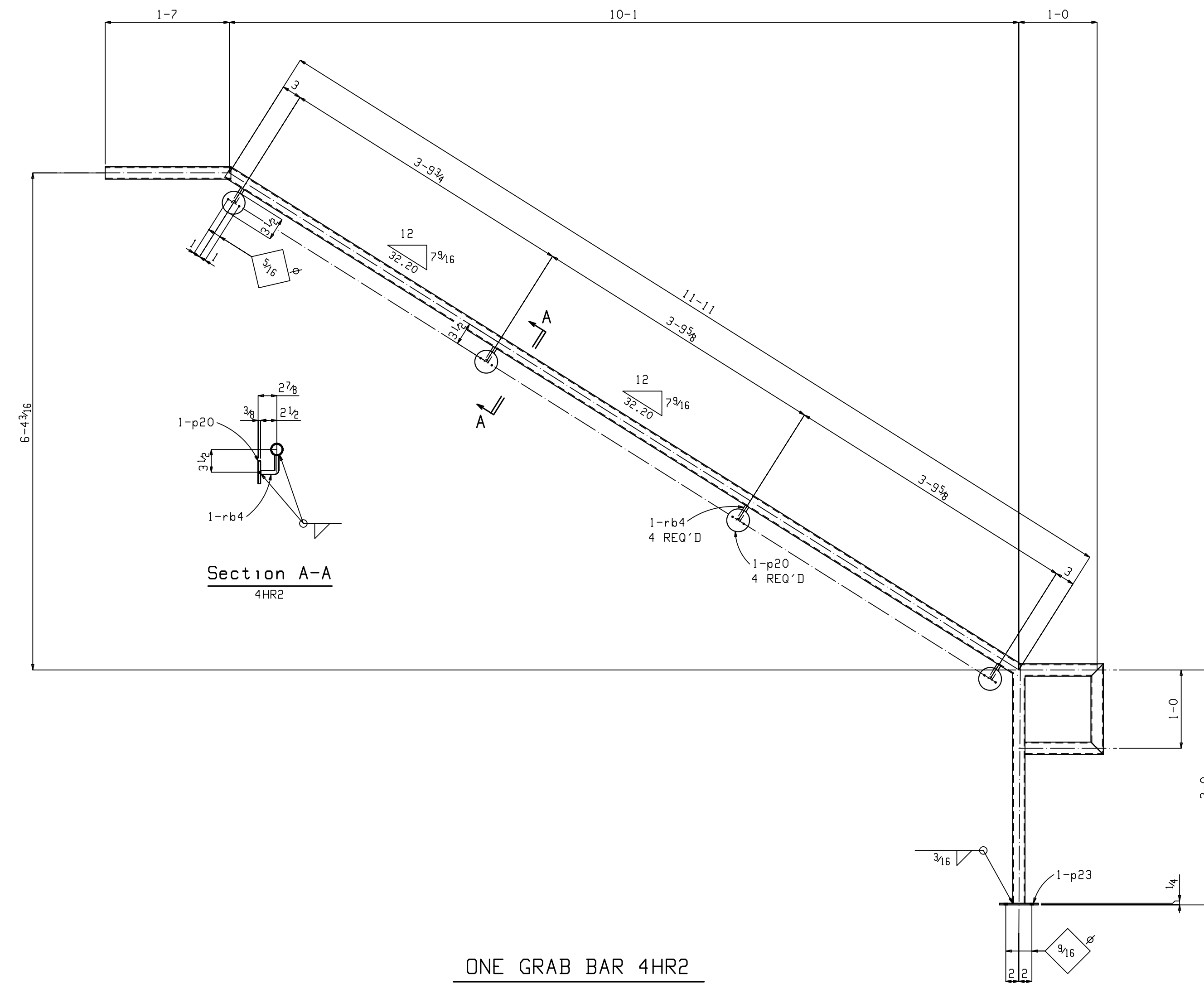
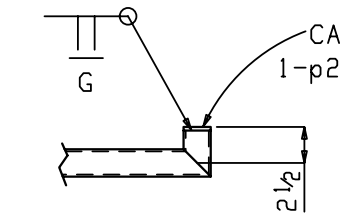
Total weight : 126

REFERENCE DRWG./LOCATION	ME 1		
MATERIAL (UNLESS NOTED)	A	9-21-13	ISSUED FOR APPROVAL
	REV.	DATE	DESCRIPTION
SURFACE PREPARATION	SP2		
SHOP PAINT	JOB STAIR		
1 S/C STD PRIMER	LOCATION		
	CUSTOMER BRIAN WOOD		
SHOP CONNECTIONS/ELECTRODES	DRWG. COVERS STAIR		
E70XX L.H.	DETAILER PALMETTO STRUCTURAL DETAILING, LLC		
ALL SHOP BOLTS TO BE HAND TIGHT	JOB #		
FIELD CONNECTIONS	3/4	A325	DRWG. # MF3
HOLE (U.N.)	3/16		
CHECKER	XXX	DATE	
PROJECT MANAGER			

PLOT DATE/TIME: 30 Sep 2013 14:11:15



ONE GRAB RAIL 4HR1



ONE GRAB BAR 4HR2

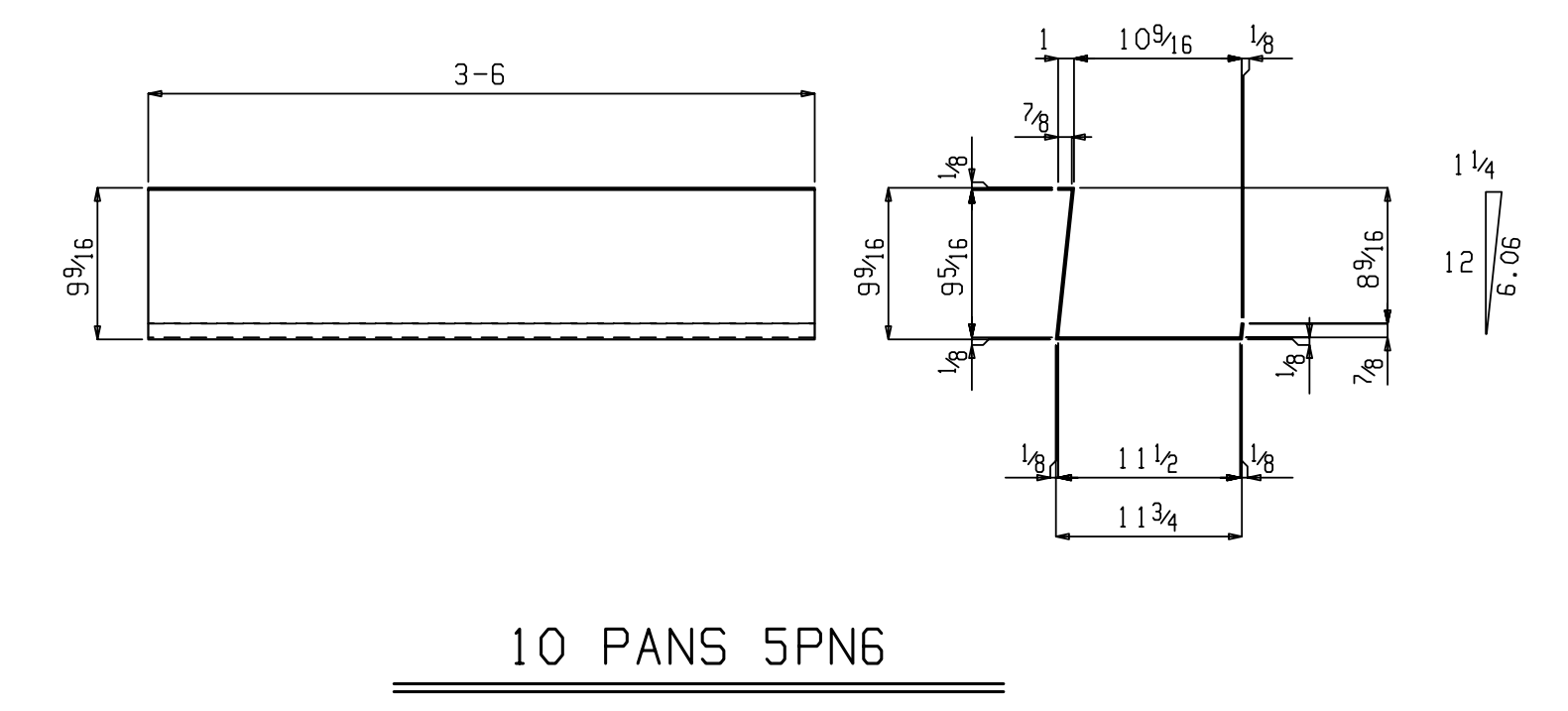
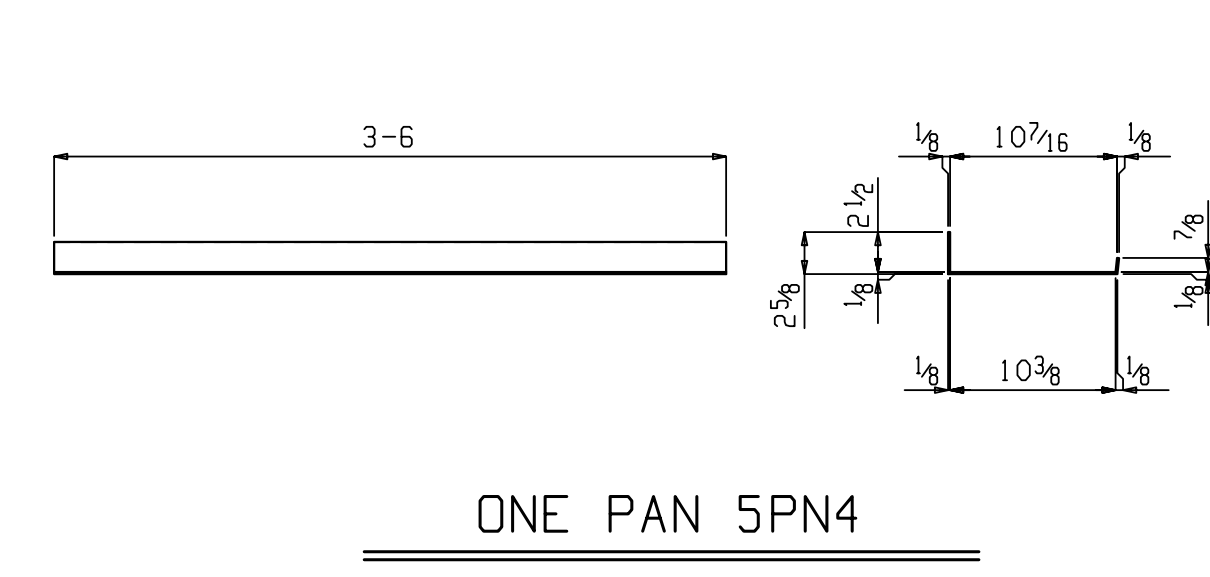
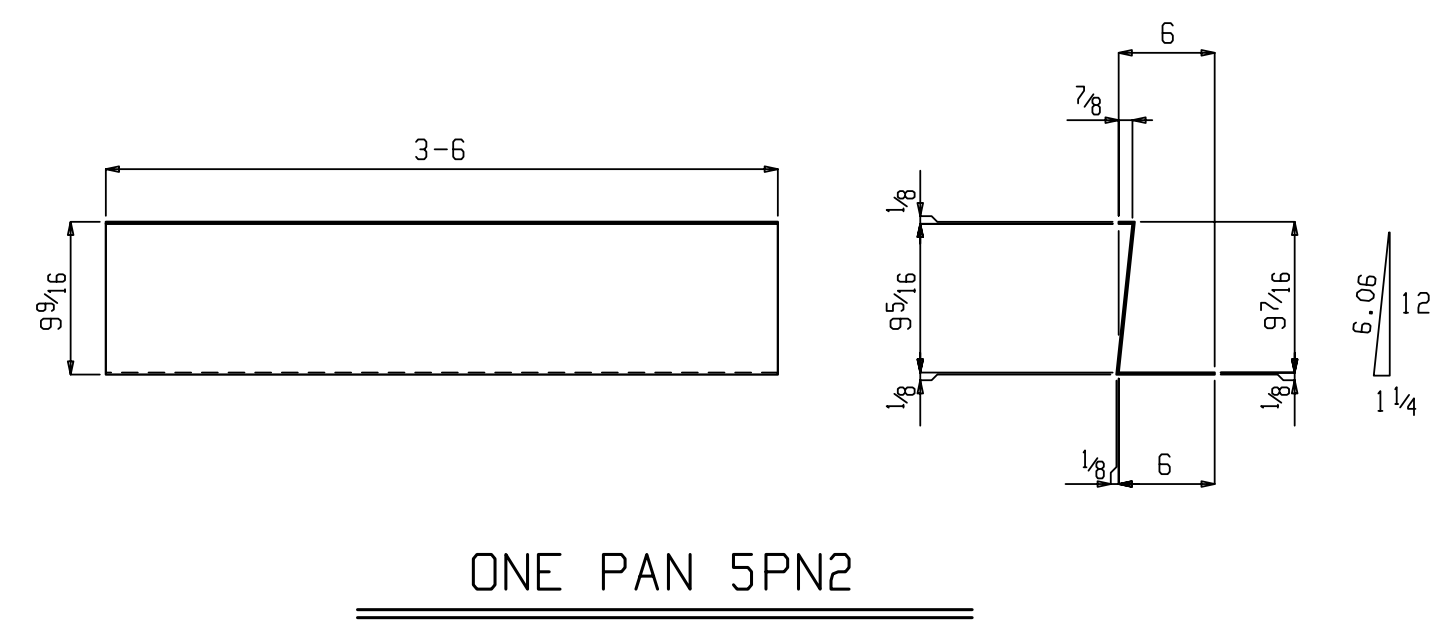
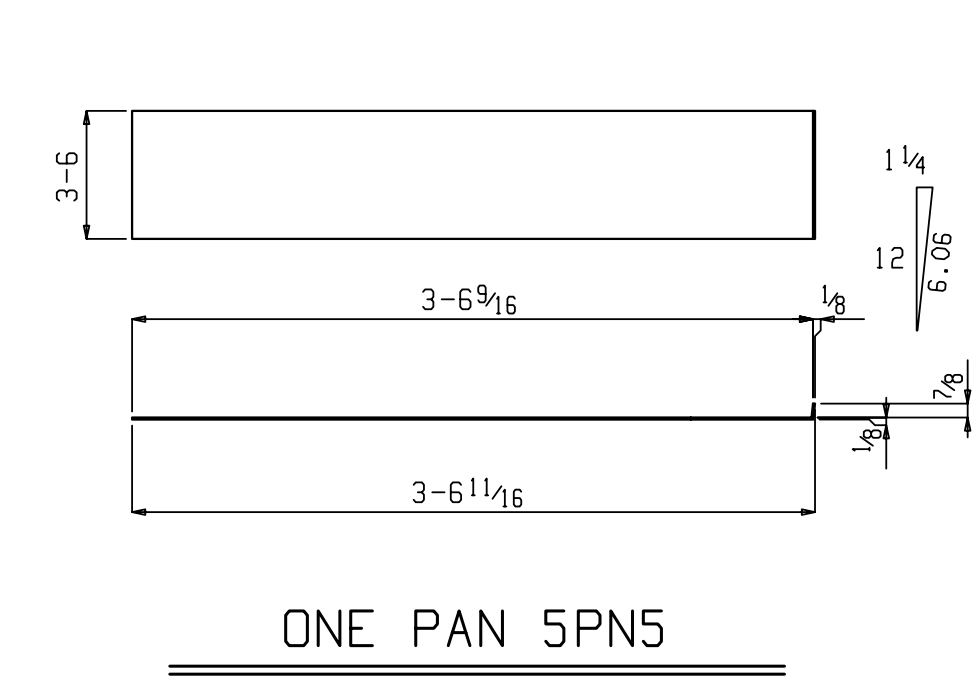
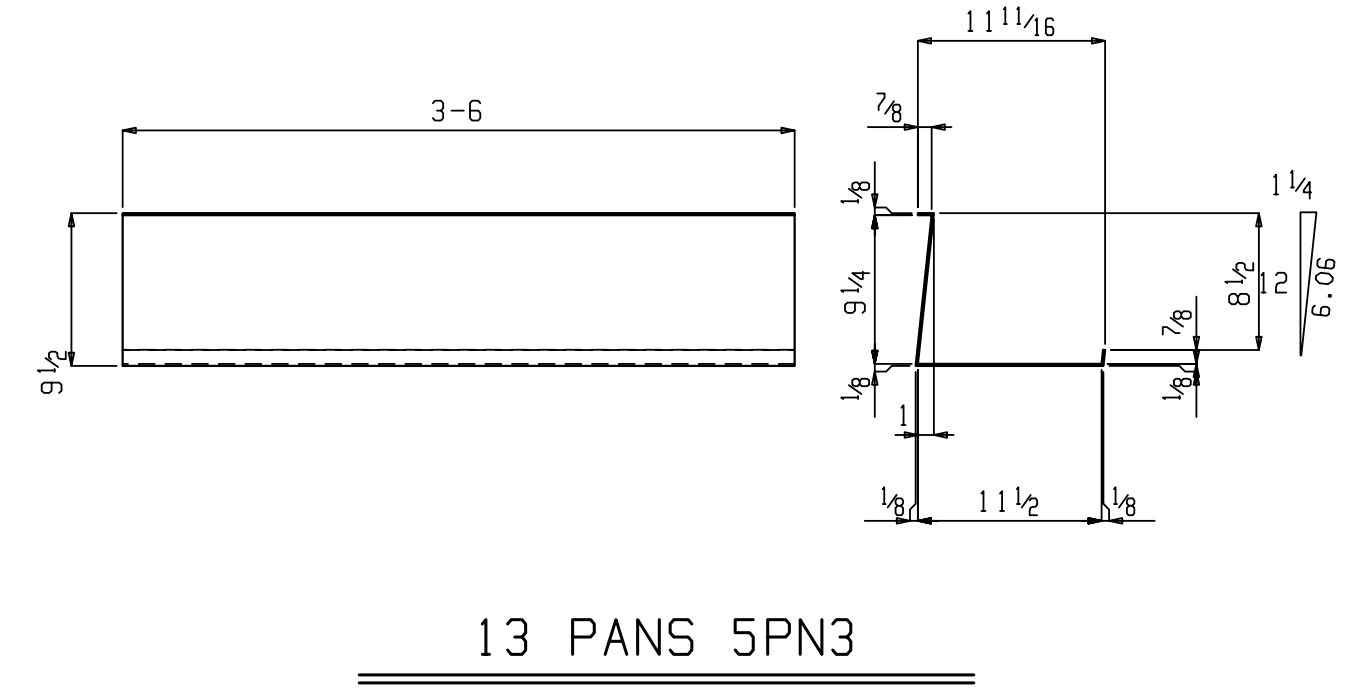
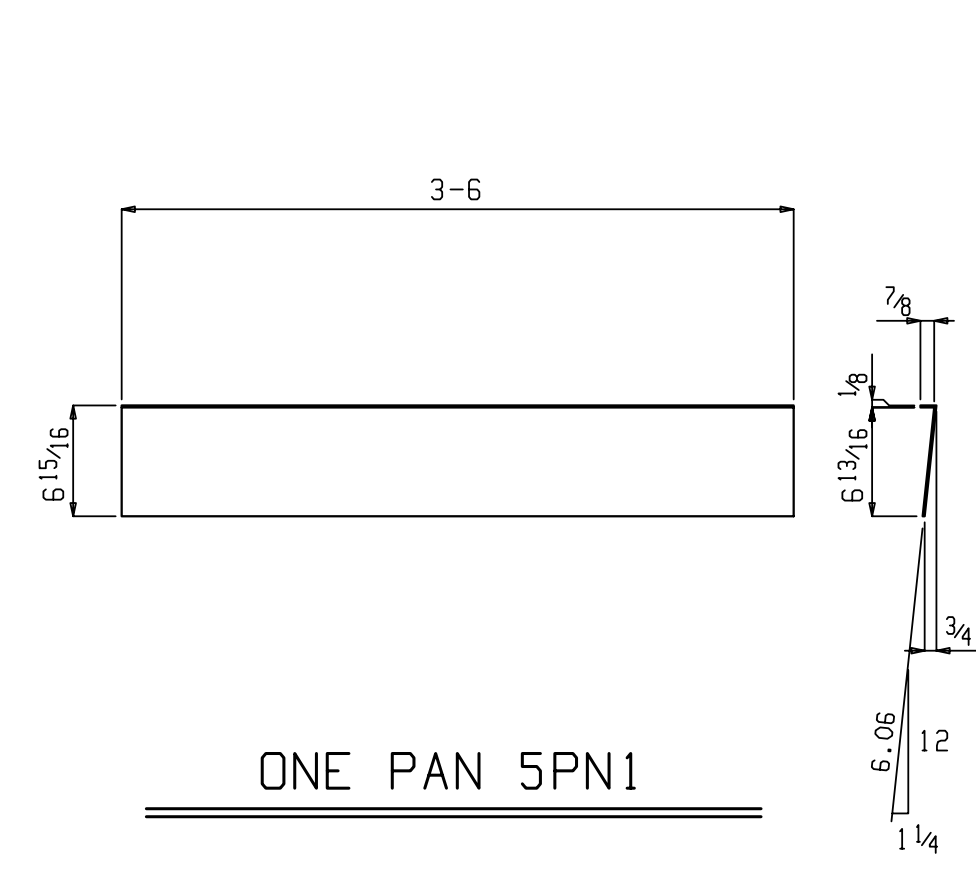
BILL OF MATERIAL

SEQ	QTY	ERECT. MK	NO.	SHAPE	LENGTH	ASSY MK	REMARKS	GRADE	ITEM	HOLE	Weight
											Unit
1	1	4HR1		ONE GRAB RAIL							47
				1 PIPE 1 1/2 STD	15	0	LINEAR FEET	A53			41
				4 RPL 3/8 x 3 1/2		p20	ROUND	A36			1
				1 RPL 1/4 x 1 7/8		p21	ROUND	A36			0
				4 RB 3/8	0	5 3/8	rb4	BENT	A36		0
1	1	4HR2		ONE GRAB BAR							60
				1 PIPE 1 1/2 STD	19	10	LINEAR FEET	A53			54
				4 RPL 3/8 x 3 1/2		p20	ROUND	A36			1
				1 PL 1/4 x 2	0	6	p23	ROUND	A36		1
				4 RB 3/8	0	5 3/8	rb4	BENT	A36		0

Total weight : 107

REFERENCE DRWG./LOCATION	ME 1		
MATERIAL (UNLESS NOTED)	A	9-21-13	ISSUED FOR APPROVAL
	REV.	DATE	DESCRIPTION
SURFACE PREPARATION	SP2		
SHOP PAINT	1 S/C STD PRIMER		
SHDW CONNECTIONS/ELECTRODES	E70XX L.H.		
FIELD CONNECTIONS	3/4 A325		
HOLES (U.N.)	13/16		
JOB #	STAIR		
LOCATION	BRIAN WOOD		
CUSTOMER	PALMETTO STRUCTURAL DETAILING, LLC		
DRWG. COVERS	STAIR		
CHECKER	XXX	DATE	XXX
PROJECT MANAGER			
DRWG. #	MF 4		

PLOT DATE/TIME: 30 Sep 2013 14:11:15



BILL OF MATERIAL

SEQ	QTY	ERECT. MK	NO.	SHAPE	LENGTH	ASSY MK	REMARKS	GRADE	ITEM	HOLE	Weight
											Unit
1	1	5PN1	ONE PAN								10
			1	PL12GAX7 11/16	3	6	BENT	A36			10
2	1	5PN2	ONE PAN								20
			1	PL12GAX16 3/16	3	6	BENT	A36			20
2	13	5PN3	13 PAN								28
			13	PL12GAX22 1/2	3	6	BENT	A36			28
2	1	5PN4	ONE PAN								17
			1	PL12GAX13 3/4	3	6	BENT	A36			17
1	10	5PN6	10 PAN								29
			10	PL12GAX22 15/16	3	6	BENT	A36			29
1	1	5PN5	ONE PAN								54
			1	PL12GAX42	3	7 9/16	BENT	A36			54

Total weight : 751

PLOT DATE/TIME: 30 Sep 2013 14:11:15	REFERENCE DRWG./LOCATION	ME 1
	MATERIAL (UNLESS NOTED)	A 9-21-13 ISSUED FOR APPROVAL
	REV.	DATE DESCRIPTION
	SURFACE PREPARATION	SP2
	SHOP PAINT	JOB STAIR
	1 S/C STD PRIMER	LOCATION
		CUSTOMER BRIAN WOOD
	SHOP CONNECTIONS/ELECTRODES	DRWG. COVERS STAIR
	E70XX L.H.	DETAILER PALMETTO STRUCTURAL DETAILING, LLC
	ALL SHOP BOLTS TO BE HAND TIGHT	
	FIELD CONNECTIONS	CHECKER XXX DATE XXX
	3/4 A325	13/16
	HOLES (U.N.)	
		PROJECT MANAGER
		JOB #
		DRWG. #
		MF5